

GML-80 Magnetic Touch Latch

Features

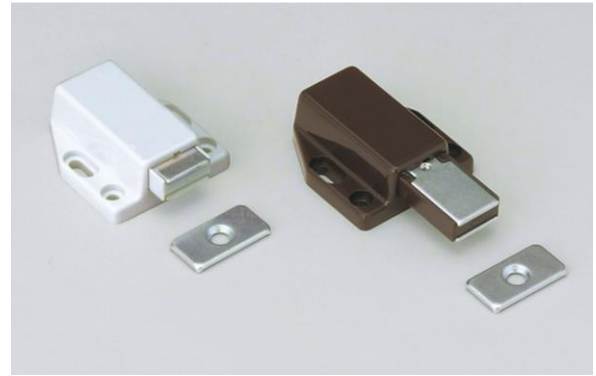
- Push to open/close
- When closing, magnet will catch the door with a light push
- For overlay doors, make a 3.5 mm gap between door and cabinet frame

Notes

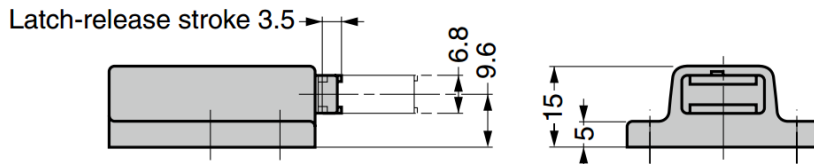
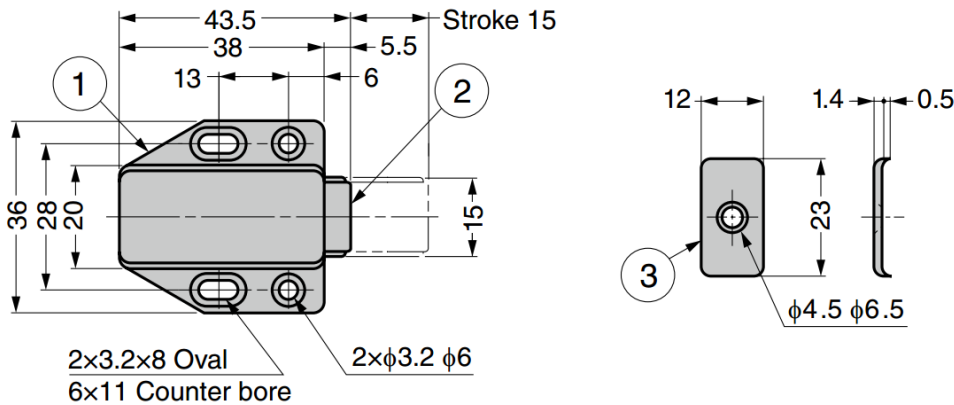
- Use hinges without catch

Parts Included

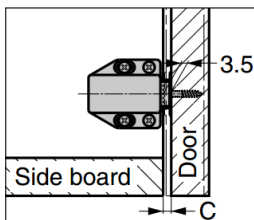
- Counter plate
- Round head wood screw 3.1×13 (4 pcs)
- Countersunk head wood screw 2.7×13 (1 pc)



No.	Part Name	Material	Finish / Colour
①	Body	ABS	Brown, White
②	Yoke	Steel (SPCC)	Coloured Zinc Chromate
③	Counter Plate		



Overlay Door



To ensure a push-in allowance of 3.5mm or above in the latch part, please leave a clearance C at the side board.

Part No.	Colour	Magnetic Force	
GML-80BR	Brown	15.7 N	1.6 kg
GML-80W	White		